

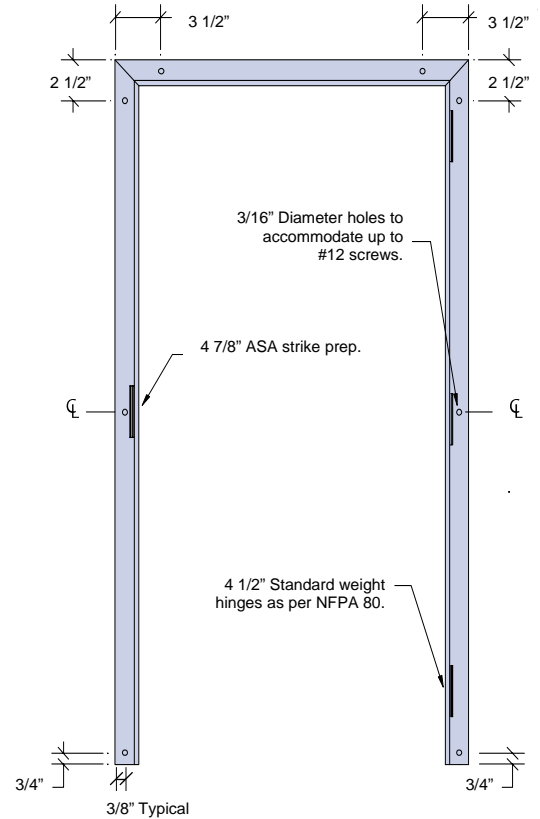


HM KD FRAMES

SLIP-ON FRAME - Adjustable Throat

SOF SERIES SPECS:

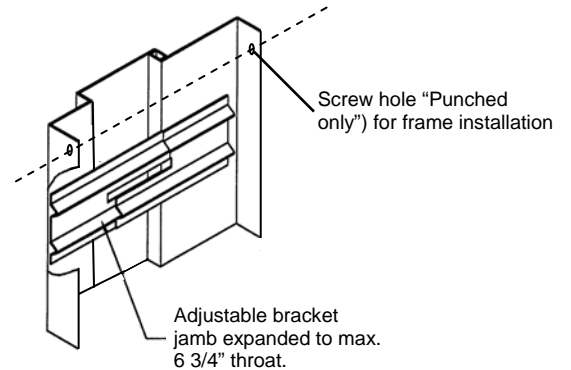
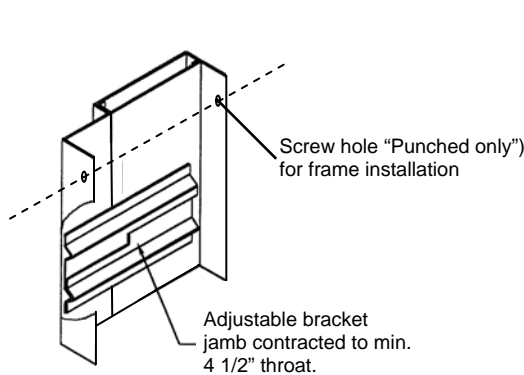
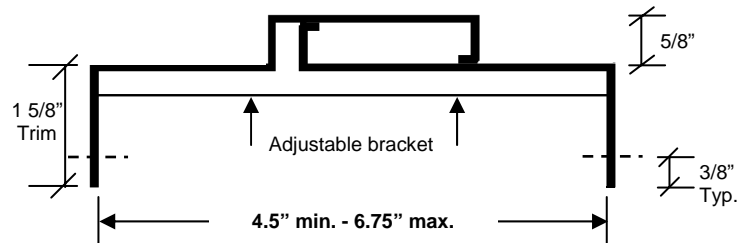
- 18 gauge A40 Galvanneal steel - standard.
- Adjustable throat size: 4 1/2" - 6 3/4".
- Available as knock-down only.
- Max. size available for fire rating is up to:  
Single: 4'-0" x 8'-0"  
Pairs: 6'-0" x 7'-0"
- For use with 1 3/4 (45) door - steel or wood.
- Prepared for 9/32 silencers.
- Prepared with 12 gauge ASA strike reinforcement.
- Prepared with 10 gauge hinge frequency hinge reinforcements.
- Fire rating: up to 1 1/2 hours. Some restrictions do apply.
- Fire labeling: WHI, UL.
- Nail/screw holes factory prepped for installation. Installation nails or screws by others.
- Finish painting by others.
- Wood trim by others.
- Application: Residential applications: private residences, assisted living, nursing homes; & a variety of light commercial applications.
- Frame meets conditions of acceptance of CAN/ULC S104, NFPA 252, UBC 7-2 1994, CSFM 43.7, and UL 10(6) "Methods of Fire Tests of Door Assemblies" for a 90 minute rating with hose stream.



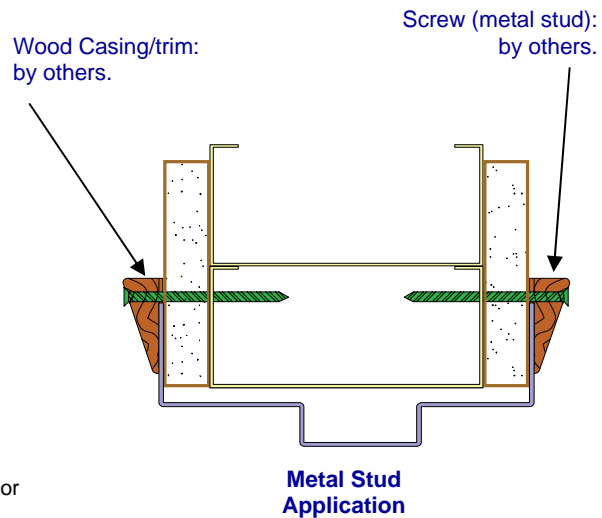
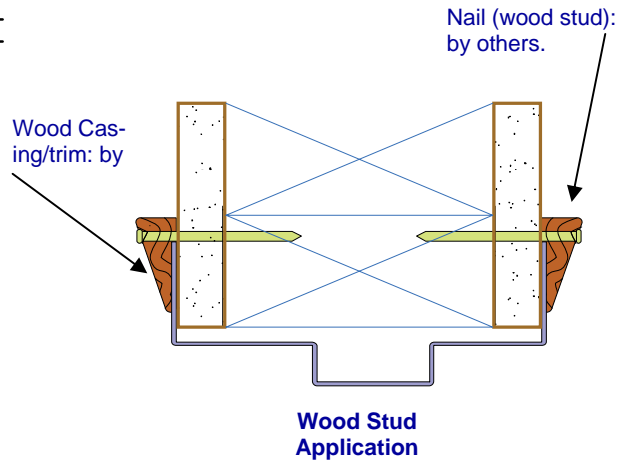
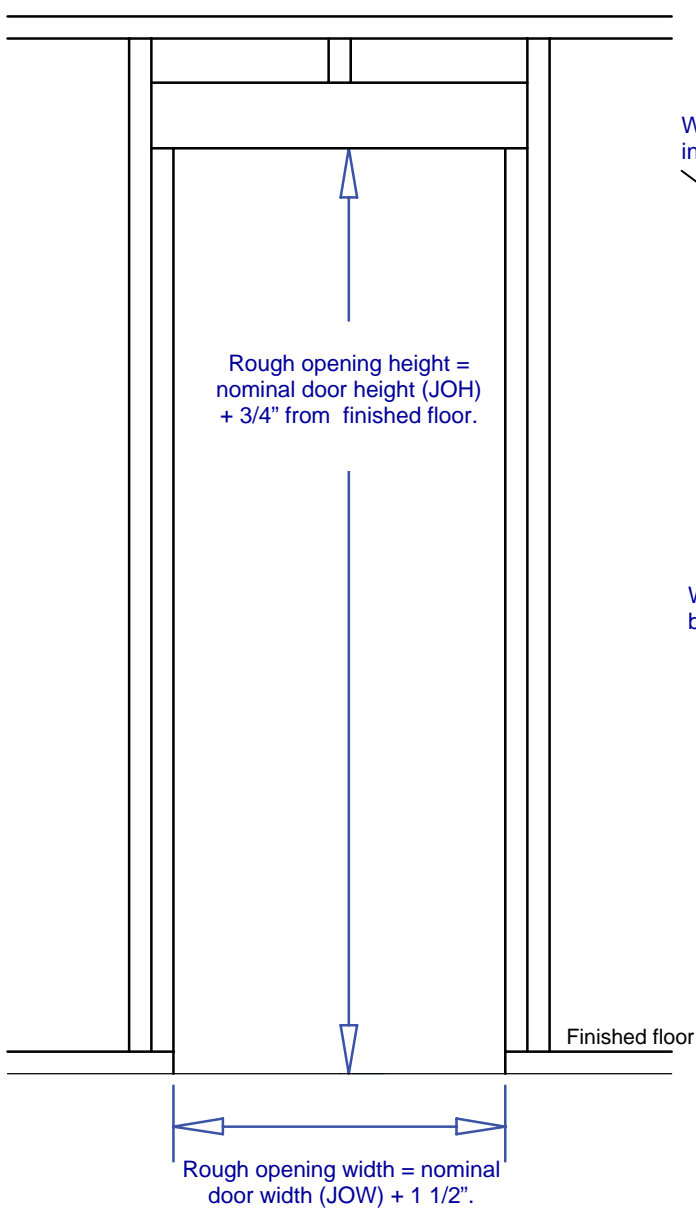
NOMINAL JAMB HEIGHT	NO. OF BRACKETS
Up to 7'-2"	3
7'-3" to 8'-0"	4
NOMINAL HEAD WIDTH	NO. OF BRACKETS
Up to 4'-0"	2
4'-1" to 6'-4"	3
6'-5" to 8'-0"	4



Please note that MDI® SOF frames can be fire labeled up to 90-minutes B-label.



## SLIP-ON FRAME - Installation



### INSTALLATION DETAILS:

1. Install header into position.
2. Install hinge jamb starting at top.
3. Engage corner and slide into position.
4. Install strike jamb in same manner as hinge jamb.
5. Adjust frame for to be plumb & level.
6. Secure frame to wall studs with nails/screws.

**SOF provides the strength and rigidity of a commercial steel frame with an easy installation while allowing you to simply add wood trim around the perimeter for a finished decorative look.**