

# BULLET RESISTANT HM DOORS

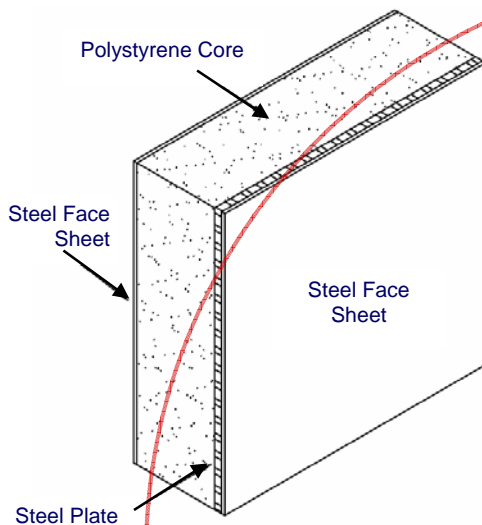
TESTED TO UL 752

ARMOR DEFENSE SERIES

MDI® ArmorDefense™ Doors are available as:

16 Gauge	Door
12 Gauge	Frame
10 Gauge	Armor

▶ The Armor Defense system is rated for Super Power Small Arms (SPSA) and is intended for architectural environments with equivalent bullet resistance. This door & frame system has not been tested for forced entry, forced exit or for fire protection. The system must be installed securely by the contractor in a manner to achieve the intended functional operation and appearance. The polystyrene core provides excellent insulation characteristics making the system a good choice for interior or exterior applications.



The Armor Defense bullet resistant door & frame system is UL Burglary Protection approved and complies with the Standard for Safety Resisting Test UL 752. Doors are 1 3/4" thick along with having fully welded seamless edges enhance design and appearance. Both the door and frame are manufactured with commercial quality cold rolled steel conforming to A366 or A568...or optional hot-dipped galvanized steel conforming to ASTM A653. Armor plate is internal, welded in-place, conforms to ASTM 569 and dependent on the ballistic rating.

Our bullet resistant door/frame system is effective against a wide range of firearms when used with structures similarly rated. This system is designed for openings where a bullet resistance rated door is a requirement, such as utility field buildings, cashier islands, ticket booths, currency exchanges, box offices, courthouses, casinos, etc.



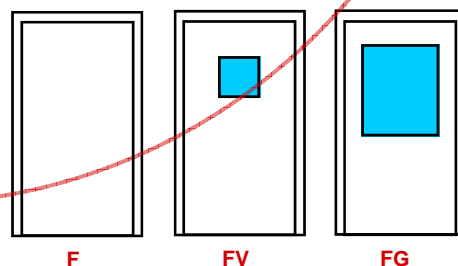
## ▶ STANDARD FEATURES

- 16 gauge seamless door.
- 14 gauge fully welded frame.
- Surface closer reinforced.
- Lock edge is beveled 1/8"; hinge edge is square.
- 7 gauge hinge reinforcements.
- 4 1/2" or 5" standard or heavy weight full mortise hinge prep. (Doors over 3'-0" x 7'-0" or Level 4 doors require 5" x .190 hinges.)
- Single bore lock prep (2 3/4" backset) or mortise lock preparation. Lock is required to be UL listed for ballistic protection.
- Factory prime-painted. Primer coat conforms to ANSI A250.10.
- R-Factor: 4.55.

## ▶ OPTIONS

- A60 or G90 Galvanized.
- Bullet resistant glass lite kits.
- Steel cap at top & bottom of door - flush.
- Door: 14 gauge or 12 gauge face sheets.

## ▶ AVAILABLE DOOR DESIGNS



■ Indicates doors with glass lite.

Heavy Duty or  
Maximum Use



© 2007 Metropolitan Door Industries Corp.  
© MDI and the MDI designed logo are Registered Trademarks of Metropolitan Door Industries Corp.

www.metropolitandoor.com

# ARMOR DEFENSE SERIES

## Bullet Resistant Door & Frame System

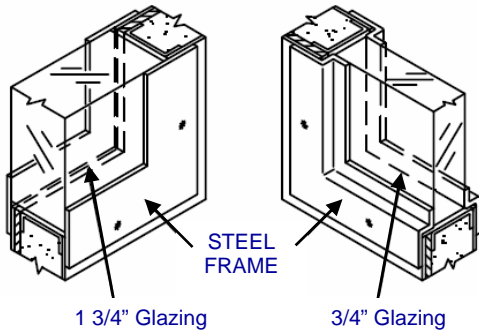


BALLISTIC LEVEL (Per UL 752)	LEVEL 1 MEDIUM POWER (MPSA)	LEVEL 2 HIGH POWER (HPSA)	LEVEL 3 SUPER POWER (SPSA)	LEVEL 4 30-06 HUNTING SPORT RIFLE
WEAPON	Super 38 Automatic	.357 Magnum Revolver	.44 Magnum Revolver	30-06 Rifle
BULLET TYPE	130 Grain Metal Case	158 Grain Soft Point	240 Grain Soft Point	220 Grain Springfield
MUZZLE VELOCITY	1,280 FPS (390 MPS)	1,450 FPS (442 MPS)	1,470 FPS (448 MPS)	2,523 FPS (769 MPS)
MUZZLE ENERGY	475 Ft. Lb. (7.07 mbar)	740 Ft. Lb. (11.01 mbar)	1,250 Ft. Lb. (18.60 mbar)	3,102 Ft. Lb. (46.16 mbar)

Other bullet resistant levels are available (thru level 8). Please contact MDI® for details.

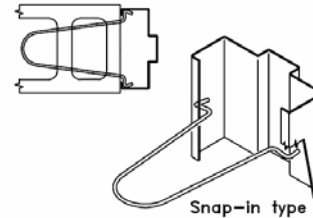
### ▶ GLAZING OPTIONS

When a vision lite is ordered the glass will be supplied with the door.



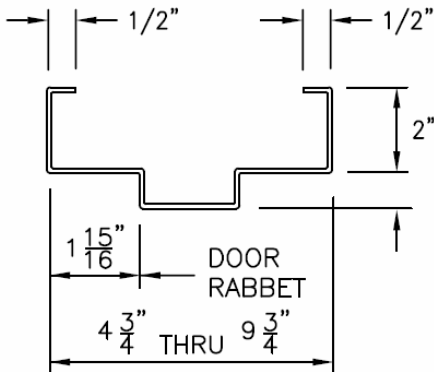
### ▶ TYPICAL WALL ANCHOR

Masonry wire anchor (MWA). Other anchors are available. Advise on wall construction and consult our office.



### ▶ TYPICAL PROFILE

Double rabbet shown, single rabbet available



### ▶ PERFORMANCE CHART MAXIMUM DOOR OPENING SIZE

Single: 4'-0" x 9'-0"

Double Door: 8'-0" x 9'-0"

GAUGE	CYCLES	FIRE RATING *
16	1,000,000	Up to 90 min.
14	1,000,000	Up to 90 min.
12	1,000,000	None

#### \* FIRE RATING

Maximum size allowed is 4'-0" x 8'-0"; flush design only (no glass); 16 or 14 gauge doors with steel stiffened core. Contact our customer service department for more details.



© 2007 Metropolitan Door Industries Corp.

© MDI and the MDI designed logo are Registered Trademarks of Metropolitan Door Industries Corp.

