

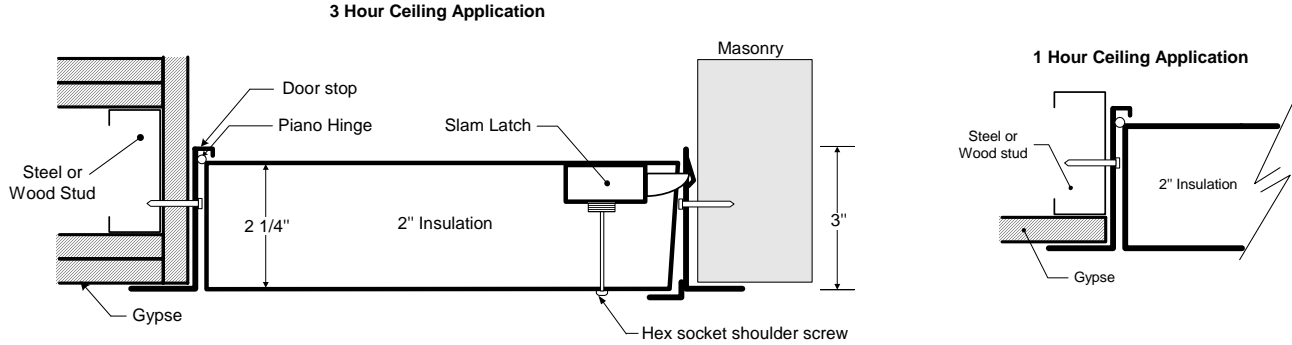
TECHNICAL DATA SHEET



Phone: 516.294.1801
 Fax: 516.294.1828
 350 Thorens Avenue
 Garden City Park, NY 11040
 www.metropolitandoor.com

MODEL PFU UPWARD SWINGING FIRE RATED INSULATED ACCESS DOOR

INSTALLATION (CEILING ONLY)

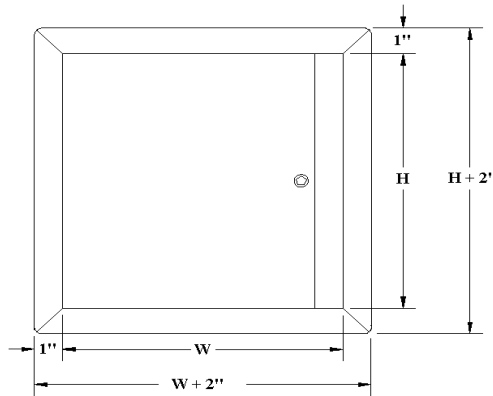


DIMENSION AND APPEARANCE

DOOR SIZE W x H (IN)	CEILING OPENING (IN)	NUMBER OF LOCKS	SHIP WEIGHT (LBS) (KG)	
22 x 30	22 3/8 x 30 1/4	1	44	20
22 x 36	22 3/8 x 36 1/4	2	50.5	23
24 x 24	24 3/8 x 24 1/4	1	37.5	17

(Clear opening with door opened = W - 3 1/2")

Max. size to maintain fire rating: 24" x 36".



DESCRIPTION AND MATERIAL SPECIFICATION

Fire Rating : 2 hour fire barrier, 1 1/2 hour B label, maximum temperature rise after 30 minutes 250° F (139° C) after 60 minutes 450° F (250° C) Warnock Hersey file #: L-14031 for ceiling one (1) hour combustibile rating and three (3) hour non-combustibile rating in conformance with the following codes: UBC 43-7 for ceiling installation MEA# 507-06-M

Material : satin coated steel 16 gauge frame and 20 gauge door

Insulation : Mineral wool
Hinge : continuous piano hinge allows opening to 89°
Lock / latch : self latching ring operated latch inside and Allen key operated outside
Finish : phosphate dipped steel with high quality Sherwin-Williams grey powder coat primer
Packaging : wrapped individually in a box
Options:
Material : stainless steel 304 #4 (brushed finish)

PROJECT DATA

Project name	Qty	W	H	# of locks	Finish
Architect :					
Dealer :					
Contractor :					
Location :					
Date :	Special instructions :				
Tagging Instructions :					

CUSTOMER APPROVAL:

DATE: