

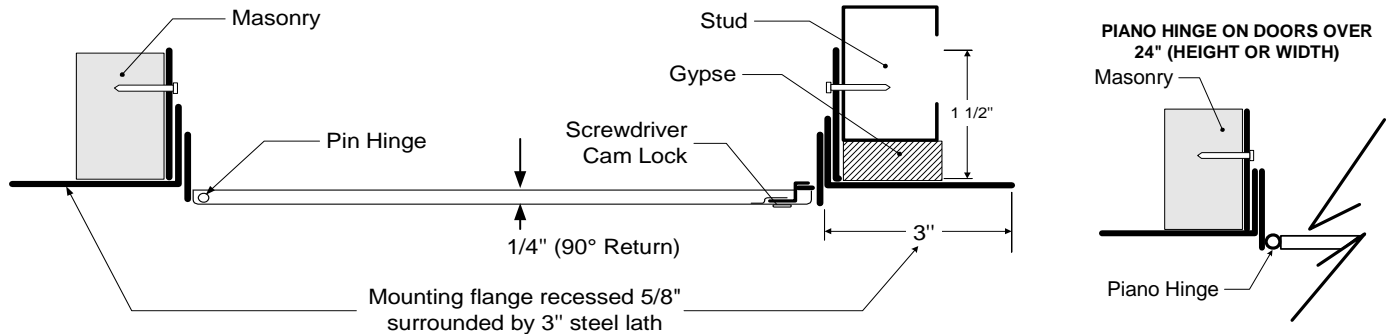
TECHNICAL DATA SHEET



Phone: 516.294.1801
 Fax: 516.294.1828
 350 Thorens Avenue
 Garden City Park, NY 11040
 www.metroplitandoor.com

AHD-PLY FLUSH ACCESS DOOR WITH METAL LATH

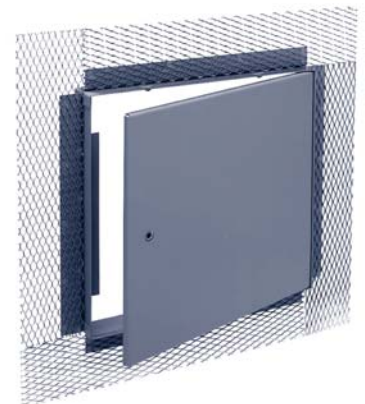
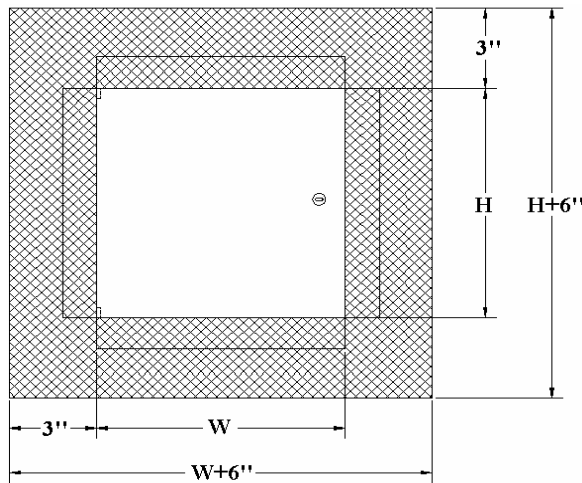
INSTALLATION



DIMENSION AND APPEARANCE

DOOR SIZE W x H (IN)	WALL / CEILING OPENING (IN)	# OF LOCKS		SHIP WEIGHT	
		Wall	Ceiling	(LBS)	(KG)
8 x 8	8 1/4 x 8 1/4	1	1	3	1.4
12 x 12	12 1/4 x 12 1/4	1	1	5	1
16 x 16	16 1/4 x 16 1/4	1	1	8	3.6
18 x 18	18 1/4 x 18 1/4	1	1	9	4.1
*24 x 24	24 1/4 x 24 1/4	1	1	15	6.8
*24 x 36	24 1/4 x 36 1/4	2	2	21	9.5

(Special sizes available upon request)
 *24" and more piano hinge installed



DESCRIPTION AND MATERIAL SPECIFICATION

Material: 16 gauge steel door and mounting flange recessed 5/8" surrounded by 3" steel lath
Hinge: Hidden pin hinge
 continuous piano type over 24" in height
Lock/latch: Screwdriver operated cam latch
Finish: Phosphate dipped steel with *Sherwin-Williams* high quality grey powder coat primer
Packaging: Wrapped individually in a box

Options:
Locks: Cylinder lock and key, anti-theft screw, Allen head hex lock, handle operated cam latch
Finish: white
Gasketing: neoprene gasket

AREA LEFT BLANK FOR
 ARCHITECT APPROVAL STAMP

PROJECT DATA

Project name	Qty	W	H	# of locks	Finish
Architect :					
Dealer :					
Contractor :					
Location :					
Date :	Special instructions :				
Tagging Instructions :					

CUSTOMER APPROVAL:

DATE: