

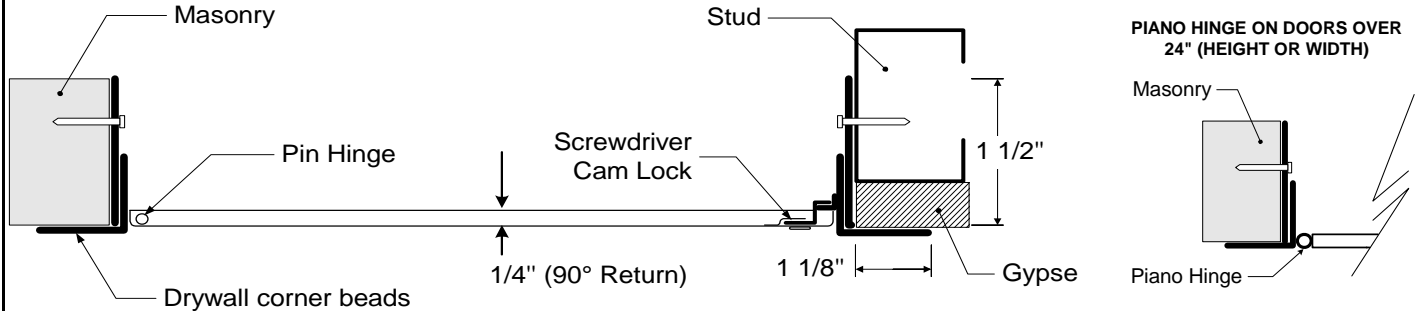
# TECHNICAL DATA SHEET



Phone: 516.294.1801  
 Fax: 516.294.1828  
 350 Thorens Avenue  
 Garden City Park, NY 11040  
 www.metropolitandoor.com

## AHD-GYP FLUSH ACCESS DOOR WITH PERIMETER DRYWALL BEAD

### INSTALLATION

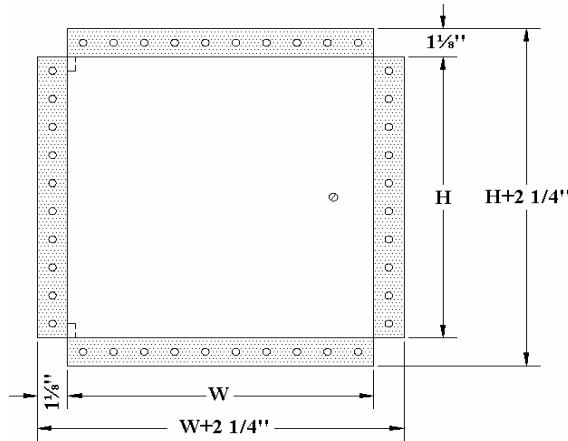


### DIMENSION AND APPEARANCE

DOOR SIZE W x H (IN)	WALL / CEILING OPENING (IN)	# OF LOCKS		SHIP WEIGHT	
		Wall	Ceiling	(LBS)	(KG)
8 x 8	8 1/4 x 8 1/4	1	1	3	1.4
12 x 12	12 1/4 x 12 1/4	1	1	5	1
16 x 16	16 1/4 x 16 1/4	1	1	8	3.6
18 x 18	18 1/4 x 18 1/4	1	1	9	4.1
*24 x 24	24 1/4 x 24 1/4	1	1	15	6.8
*24 x 36	24 1/4 x 36 1/4	2	2	21	9.5

(Special sizes available upon request)

\*24" and more piano hinge installed



### DESCRIPTION AND MATERIAL SPECIFICATION

**Material :** 16 gauge steel door and frame with galvanized drywall corner beads  
**Hinge :** Hidden pin hinge  
**Lock/latch :** Screwdriver operated cam latch  
**Finish :** Phosphate dipped steel with *Sherwin-Williams* high quality grey powder coat primer  
**Packaging :** Wrapped individually in a box

**Options:**  
**Locks :** Cylinder lock and key, anti-theft screws, Allen head hex lock, handle operated cam latch  
**Material :** stainless steel 304 #4 (brushed finish)  
**Finish :** white  
**Gasketing :** neoprene gasket

AREA LEFT BLANK FOR  
 ARCHITECT APPROVAL STAMP

### PROJECT DATA

Project name	Qty	W	H	# of locks	Finish
Architect :					
Dealer :					
Contractor :					
Location :					
Date :	Special instructions :				
Tagging Instructions :					

CUSTOMER APPROVAL:

DATE: