

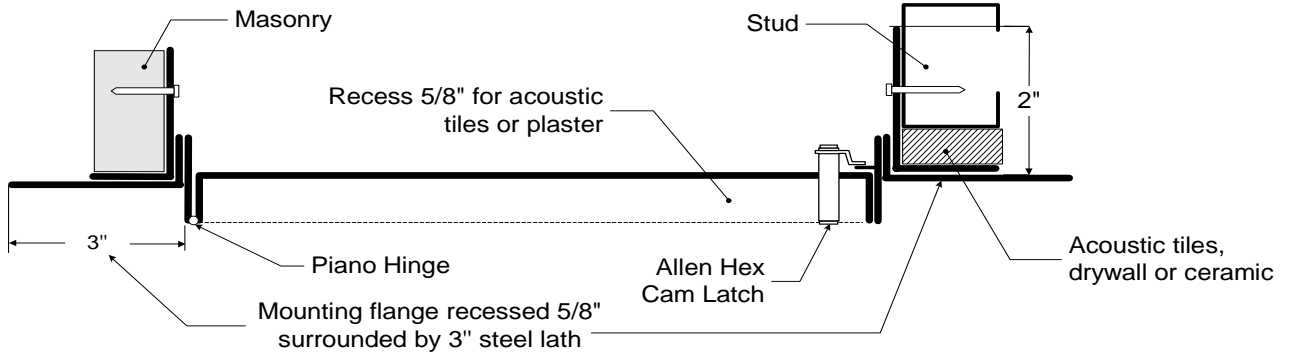
TECHNICAL DATA SHEET



Phone: 516.294.1801
 Fax: 516.294.1828
 350 Thorens Avenue
 Garden City Park, NY 11040
 www.metropolitandoor.com

AHA-PLY RECESSED ACCESS DOOR WITH METAL LATH

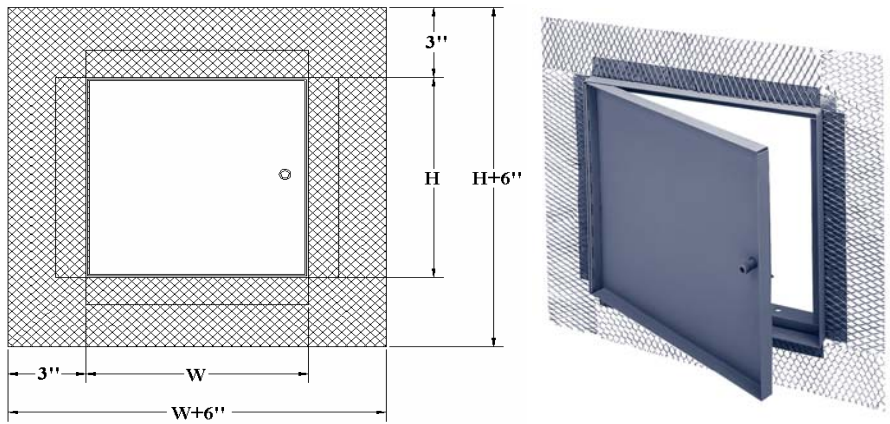
INSTALLATION



DIMENSION AND APPEARANCE

DOOR SIZE W x H (IN)	WALL OPENING (IN)	NUMBER OF LOCKS	SHIP WEIGHT (LBS) (KG)
8 X 8	8 1/4 X 8 1/4	1	3 1.4
12 X 12	12 1/4 x 12 1/4	1	5 2.3
16 X 16	16 1/4 X 16 1/4	1	9 4.1
18 X 18	18 1/4 X 18 1/4	1	11 5
24 X 24	24 1/4 X 24 1/4	1	16 7.3

(Special sizes available upon request)



DESCRIPTION AND MATERIAL SPECIFICATION

Material : 16 gauge steel door and frame with mounting flange recessed surrounded by 3" steel lath
Hinge : Continuous piano hinge
Lock / latch : Allen head hex lock
Finish : Chosphate dipped steel with *Sherwin-Williams* high quality grey powder coat primer
Packaging : Wrapped individually in a box
Recess : 5/8" standard

Options:

Lock : Cylinder lock and key
Material : Stainless steel 316 #4 (brushed finish)
Recess : 1/2", 3/4", 1" and 1 1/2" also available

AREA LEFT BLANK FOR
 ARCHITECT APPROVAL STAMP

PROJECT DATA

Project name	Qty	W	H	# of locks	Finish
Architect :					
Dealer :					
Contractor :					
Location :					
Date :	Special instructions :				
Tagging Instructions :					

CUSTOMER APPROVAL:

DATE: